

EQUIP. TYPE R396A/URR EXP. NO.

COL 304312600

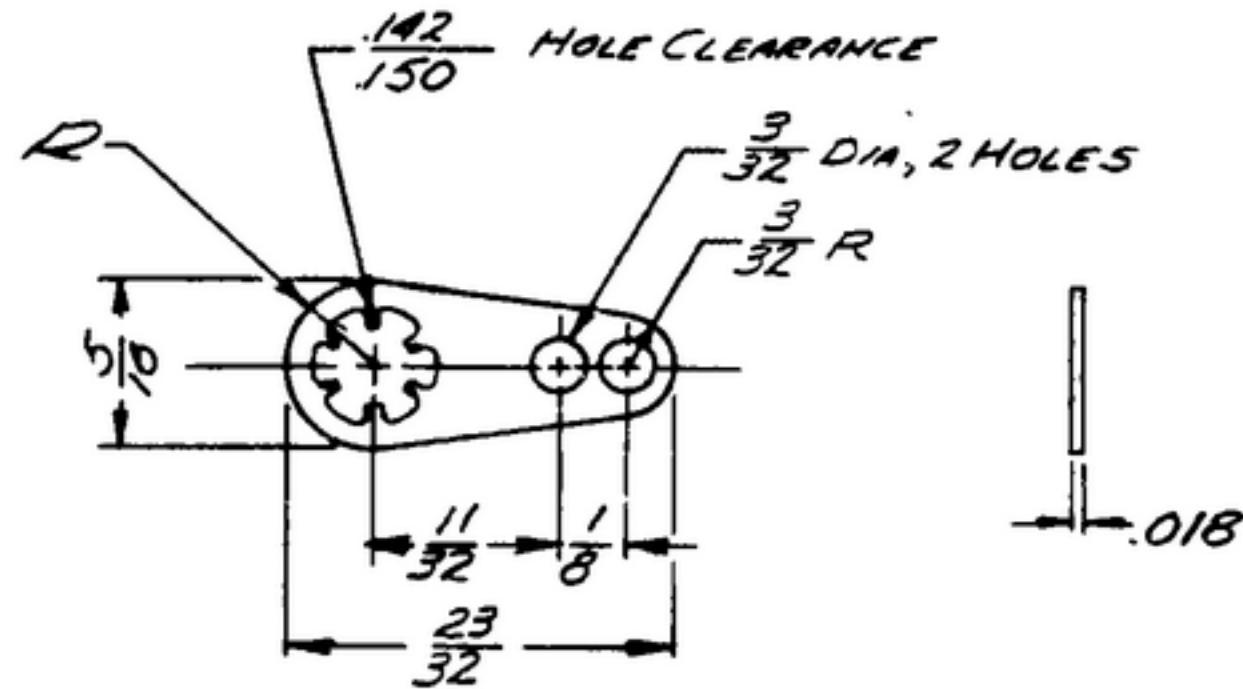
NOTICE: WHEN GOVERNMENT DRAWINGS, SPECIFICATIONS, OR OTHER DATA ARE USED FOR ANY PURPOSE OTHER THAN IN CONNECTION WITH A DEFINITELY RELATED GOVERNMENT PROCUREMENT OPERATION, THE UNITED STATES GOVERNMENT THEREBY INCURS NO RESPONSIBILITY NOR ANY OBLIGATION WHATSOEVER; AND THE FACT THAT THE GOVERNMENT MAY HAVE FORMULATED, FURNISHED, OR IN ANY WAY SUPPLIED THE SAID DRAWINGS, SPECIFICATIONS, OR OTHER DATA IS NOT TO BE REGARDED BY IMPLICATION OR OTHERWISE AS IN ANY MANNER LICENSING THE HOLDER OR ANY OTHER PERSON OR CORPORATION, OR CONVEYING ANY RIGHTS OR PERMISSION TO MANUFACTURE, USE, OR SELL ANY PATENTED INVENTION THAT MAY IN ANY WAY BE RELATED THERETO.

THIS DOCUMENT HAS BEEN PURCHASED BY THE GOVERNMENT AND MAY BE REPRODUCED AND USED IN CONNECTION WITH ANY GOVERNMENT PROCUREMENT OR MAINTENANCE OPERATION.

\*FOR INFORMATION ONLY, CONTRACTOR MAY AT HIS OPTION DEVIATE FROM THESE PROCESS DETAILS.

REVISIONS

SYM	DESCRIPTION	DATE	APPROVAL
-----	-------------	------	----------



NOTES:

1. PART MAY BE #2102-6 AS SUPPLIED BY SHAKEPROOF INC CHICAGO, ILL, OR EQUAL, PROVIDING IT MEETS THE FOLLOWING REQUIREMENTS & DIMENSIONS SHOWN.

MATERIAL: PHOSPHOR BRONZE.

FINISH: M221 PER SPEC MIL-F-14072.

DESCRIPTION: FLAT SOLDER TERMINAL WITH SHAKEPROOF LOCKING HOLE FOR #6 SCREW.

		SM-D-144561	
		SM-B-144893	
		SM-D-144678	SC-DL-144500
		SM-D-143471	
		SM-D-143453	
		SM-C-143609	
		SM-D-143650	
		SM-D-143794	
		SM-D-143971	
		SM-D-144123	SC-DL-143280
<del>558 0363 004</del>	<del>3</del>	<del>SM-D-248818</del>	
<del>558 0349 004</del>	<del>2</del>	<del>SM-D-248801</del>	SC-DL-248775
COLLINS NO.	QTY	NEXT ASSY	USED ON

COLLINS PART NO.	QTY	ISS	REQD	PART NO.	DESCRIPTION	MATL	MATL SPEC
LIST OF MATERIAL							
-COLLINS PART NO. <u>558 0211 002</u>							

DRAWN HENRY  
 CHECKED *elm*  
 APPROVED

-COLLINS RADIO CO-  
 CEDAR RAPIDS, IOWA  
 14214 P.H  
 51-93

UNLESS OTHERWISE SPECIFIED:  
 DECIMAL DIMENSIONS INCLUDING HOLE SIZES MAY VARY ±.005  
 FRACTIONAL DIMENSIONS INCLUDING HOLE SIZES MAY VARY ±1/64  
 MACHINED ANGLES MAY VARY ±1°  
 SHEARED ANGLES MAY VARY ±.25°  
 BROKEN ANGLES MAY VARY ±1°  
 ECCENTRICITY BETWEEN ANY DIAMETERS ON THE SAME CENTERLINE SHALL NOT EXCEED .010 TOTAL INDICATOR READING.  
 ALL DIMENSIONS ARE FINISH DIMENSIONS INCLUDING APPLIED FINISH AND ARE GIVEN IN INCHES.

SIGNAL CORPS  
 REVIEWED PME  
 APPROVED HLY  
 PME  
 DATE 16 JUN 56

TERMINAL-SOLDER  
 SCALE 2/1

DEPARTMENT OF THE ARMY  
 SIGNAL CORPS ENGINEERING  
 LABORATORIES  
 FORT MONMOUTH NEW JERSEY

SM-B-249257

APPLICATION